

## 一、Product characteristics

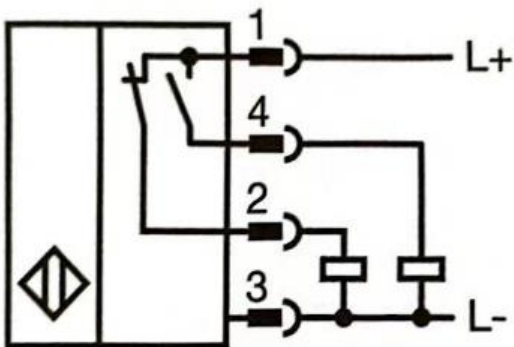
- 1、The switch can detect metal objects in an environment of 350°C
- 2、The sensor and the processor are separated and connected by a special cable
- 3、The working temperature range of the white sensor is 0~250°C
- 4、The operating temperature range of the amplifier is 0~70°C



Product certification mark



## 二、Connection mode



三、Outline dimensional drawing

