

Power requirement

120 ± 25 Vac, 50/60 Hz (std.)
 230 ± 25 Vac, 50/60 Hz (optional)
 15-30 Vdc (optional) (5 watts max.)

Output

DPDT relay

Contact Rating

120 Vac 5A Non-inductive, 3A Inductive
 240 Vac 5A Non-inductive, 2A Inductive
 24 Vdc 5A Non-inductive, 1A for Inductance
 up to 300 mH

Spark Tolerance

100 A (std)

Fail Safe

High (HLFS) or Low (LLFS) field adjustable

Response Time

Approx. 0.2 sec.
 Adjustable 0-90 seconds (optional)

Sensitivity

0.1 pF

Differential

Worst case with horizontal sensing
 element, 1/64"(.4mm) or less

Stability

0.01 pF/6 mo.max

Recommended Operating Temperature

-40°F to 145°F*
 (-40°C to 63°C)

Temperature Effect

± 0.01 pF/40°F(4°C),

Line Voltage Effect

± 0.002 pF/20 V

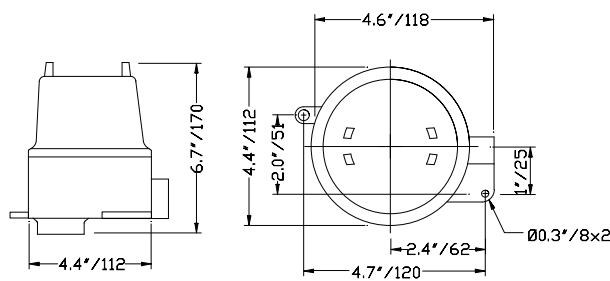
Sensing Element Connection

See chart. Threaded flange mounting (optional)

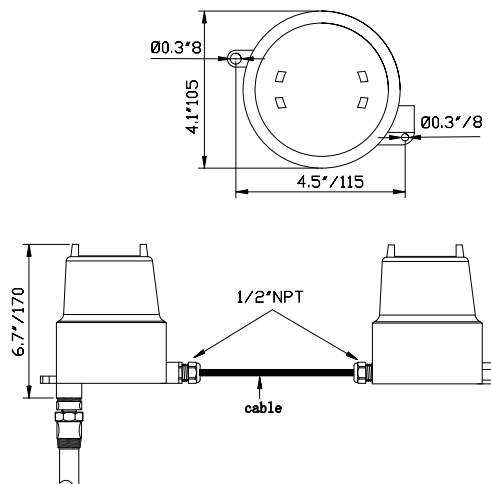
Electronic Housing

NEMA 4 explosion-proof enclosure for Class 1
 Div. 1 and 2, Groups A,B,C,D, Class II Div. 1
 and 2, Groups E, F, G

sensor	Process Pressure & Temperature	Standard mounting	O.D.&Wet Material	Max. length	application
P01	200 psi @ 410°F 14 BAR @ 210°C	3/4 NPT	3/8" O.D. 316 SS & PPO	6ft	Common service liquids, light slurries, and granulars
P02	200 psi @ 450°F 14 BAR @ 232°C	1 NPT	1/2" O.D. 316 SS & TFE	10ft	Heavy duty liquid, slurry or granular
P03	50 psi @ 300°F 3 BAR @ 149°C	3/4 NPT	3/8" O.D. 316ss & PFA(bonded)	6ft	Corrosive liquids (water-like viscosity, high level/vertical mount)
P04	1 psi @ 180°F 0 BAR @ 82°C	3/4 NPT	1/4" O.D. 316 SS & TFE	50ft	Flexible cables S.E.
P05	500 psi @ 300°F 34.5BAR @ 149°C	3/4 NPT	0.093" O.D. 316ss & PFA(bonded)	50ft	Flexible cables S.E. for corrosive liquid
P06	0 psi @ 1500°F 0 BAR @ 816°C	1-1/2" NPT	1/2" O.D. SS & ceramic	4ft	High temperatures
P07	200 psi @ 500°F 14 BAR @ 260°C	3/4 NPT	1/2" O.D. 316 SS & PEEK	6ft	High temperatures service liquids, light slurries, and granulars
P08	300 psi @ 300°F 21 BAR @ 149°C	1 1/2" Tri-clamp	3/8" O.D. 316 SS & TFE	6ft	Sanitary Service



Integral



Remote