

## GDC-Ex

# GENERAL DISPLAY & CONTROLLER

For Explosion Hazardous Location

### THE ADVANTAGE

**Universal Terminals:** Use with Cross Smart Sensors for measurements of water analysis, gas analysis and process control.

**Advanced Display:** OLED Screen

**Single or Dual Channels:** for multiple parameters and 4-20 mA analog outputs.

**4-20 mA output and Alarm Relays:** Flexible configurations for all applications.

**GDC-Ex Explosion Proof Terminal:** Magnetic screwdriver through the display window facilitates set up, eliminates the need to open the enclosure cover.

**Bluetooth 5.2** for easy setup and calibration by smart phone and pad .

**CNAS approved, Ex d IIC T6 Gb (Cer. #: CCRI 21.1375X)**

### DESCRIPTION

GDC-Ex (General Displayer & Controller) series terminals are designed for continuous measurements with Cross Smart Sensors in a general purpose industrial or municipal environment. GDC terminals have the ability to extend network by intelligent sensors with RS485 output, Modbus RTU protocol. GDC terminals supply power and communicate with sensors to acquire signals. A plug and play function is available for those sensors in our recommended list, that means if you plug an intelligent sensor into a GDC and it will automatically configure to any of the listed measurements. GDC terminals can be expanded to work with any sensors with analog or digital outputs for customized configuration.



GDC-Ex



Low Voltage Directive 2014/35/EU

Electromagnetic Compatibility Directive 2014/30/EU

RoHS 2 Directive 2011/65/EU

EN 61010-1:2010; EN 61326-1:2013

## SPECIFICATIONS

### Measuring Parameters

Dependent on Cross Smart Sensor

### Accuracy

±0.1%F.S.

### Repeatable

±0.1%

### Linearity

±0.05%

### Respond time

T90<1s

### Compensation

Atmosphere compensation for Dissolved Oxygen and pressure measurements

### Display

OLED Screen

Parameter, value, % and Unit

### Operating Temperature

-40 to 70°C (-40 to 158°F)

### Power Supply

24VDC (18 to 36VDC),  
or 100 to 240VAC, 50Hz/60Hz

### Input

Analog input: 4~20mA

### Output

Analog output: 4~20mA

Pulse: flow measurement only

Relay: 2 SPDT, 5A@250VAC / 5A@30VDC

### Digital Interface

RS485 Modbus RTU

Bluetooth 5.2

Optional Hart, Profibus, FF etc. by convertors

### Weight

5 lbs. (2.27kg)

### Explosion Proof

Ex d IIC T6 Gb

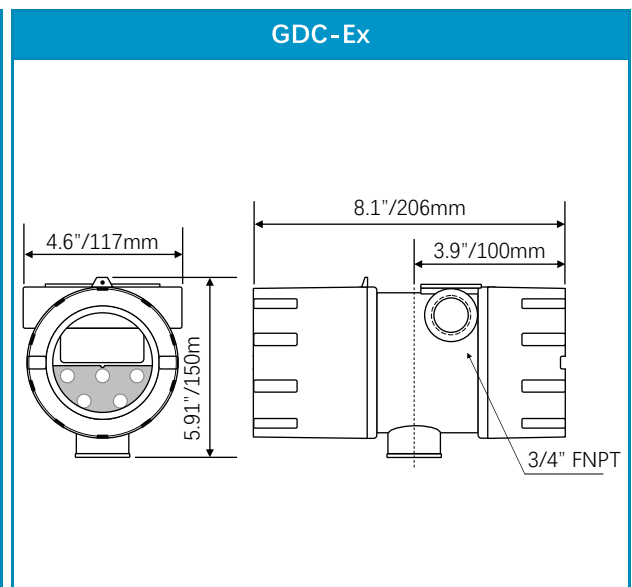
### Ingress Protection Rate

IP66

## ORDER CODE

<b>GDC</b> General Display & Controller				
<b>Model and Analogue Output Channels</b>				
	<b>-Ex</b>	Explosion-proof		
<b>Digital Interface</b>				
		Standard, RS485 Modbus RTU; Bluetooth.		
	<b>-BP</b>	Profibus DP/PA	<b>-HT</b>	HART
			<b>-BF</b>	FF
<b>Power Supply</b>				
	<b>-AC</b>	100 to 240VAC, 50Hz/60Hz		
	<b>-DC</b>	24VDC (18 to 36VDC)		
<b>Special Application</b>				
		None		
	<b>-ATM</b>	Atmosphere compensation		
	<b>-AL</b>	Acousto-optic Alarm		
	<b>-AVF</b>	Area/Velocity Flow Measurement		
	<b>-OCF</b>	Open Channel Flow Measurement		
<b>GDC</b>	<b>-Ex</b>	<b>-</b>	<b>- DC</b>	<b>-</b>

## DIMENSION



**DELTA-PHASE ELECTRONICS, INC.**  
3 Peters Canyon Rd, Suite 100,  
Irvine, CA 92606 U.S.A.  
Phone: (949) 701-7728  
<http://www.delta-phase.us>

Represented by: