

# GDC-01/02 SINGLE OR DUAL CHANNELS

## THE ADVANTAGE

**Universal Terminals:** Use with Cross Smart Sensors (CSS™) for measurements of water analysis, gas analysis and process control.

**Advanced Display:** Colorful and Bright LCD screen.

**Single or Dual Channels:** for up to two parameters, 4 to 20 mA analog outputs.

**4 to 20 mA output and Alarm Relays:** Flexible configurations for most applications.

**Bluetooth 5.2** for easy set up and calibration by smart phone and pad.



GENERAL DISPLAY & CONTROLLER

The GDC-01/02 is designed for up to two sensors. The flexible and highly functional plug-and-play operation facilitates installation in most any application.

Digital communication with all Delta-Phase digital sensors and probes is simple and reliable.



## DESCRIPTION

GDC (General Displayer & Controller) series terminals are designed for continuous measurements with Cross Smart Sensors in general purpose industrial or municipal environments. GDC terminals have the ability to extend network using intelligent sensors with RS485 Modbus RTU protocol output. GDC terminals supply power and communicate with sensors to acquire signals. A plug and play function is available for those sensors in our recommended list, that means if you plug an intelligent sensor into a GDC it will automatically configure to any of the listed measurements. GDC terminals can be expanded to work with any sensors with analog or digital outputs for customized configuration.

	Low Voltage Directive 2014/35/EU
	Electromagnetic Compatibility Directive 2014/30/EU
	RoHS 2 Directive 2011/65/EU
	EN 61010-1:2010; EN 61326-1:2013

## SPECIFICATIONS

### Measuring Parameters

Dependent on Cross Smart Sensor

### Accuracy

±0.1%F.S.

### Repeatable

±0.1%

### Linearity

±0.05%

### Response time

T90<1s

### Compensation

Atmosphere compensation for Dissolved Oxygen or pressure measurements

### Display

Colorful LCD Screen

Parameters, value, % and Unit

### Operating Temperature

-20 to 60°C (-4 to 140°F)

### Power Supply

24VDC (18 to 36VDC),

or 100 to 240VAC, 50Hz/60Hz

### Input

Analog input: 4 to 20mA

### Output

Analog output: 4 to 20mA

Pulse: flow measurement only

Relay: 2 SPDT (According to Model selection)

5A@250VAC / 5A@30VDC

### Digital Interface

RS485 Modbus RTU

Bluetooth 5.2

Optional: HART, FF, Profibus, Bacnet etc.

### Weight

1.76lbs. (0.8kg)

### Ingress Protection Rating

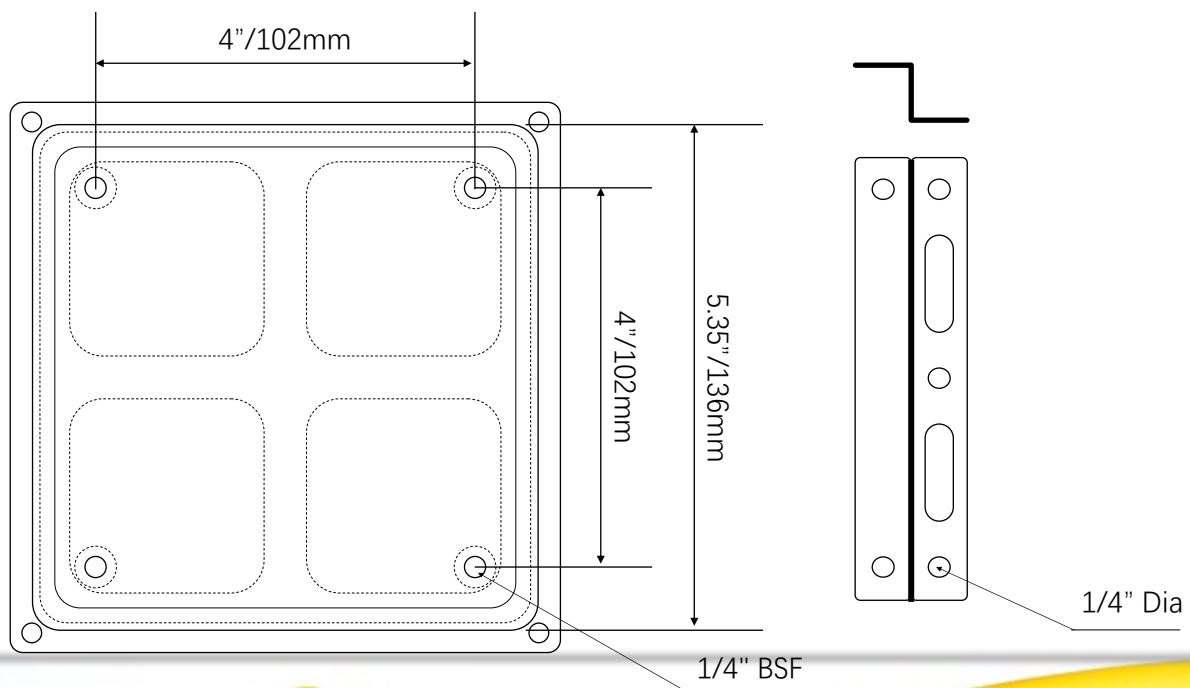
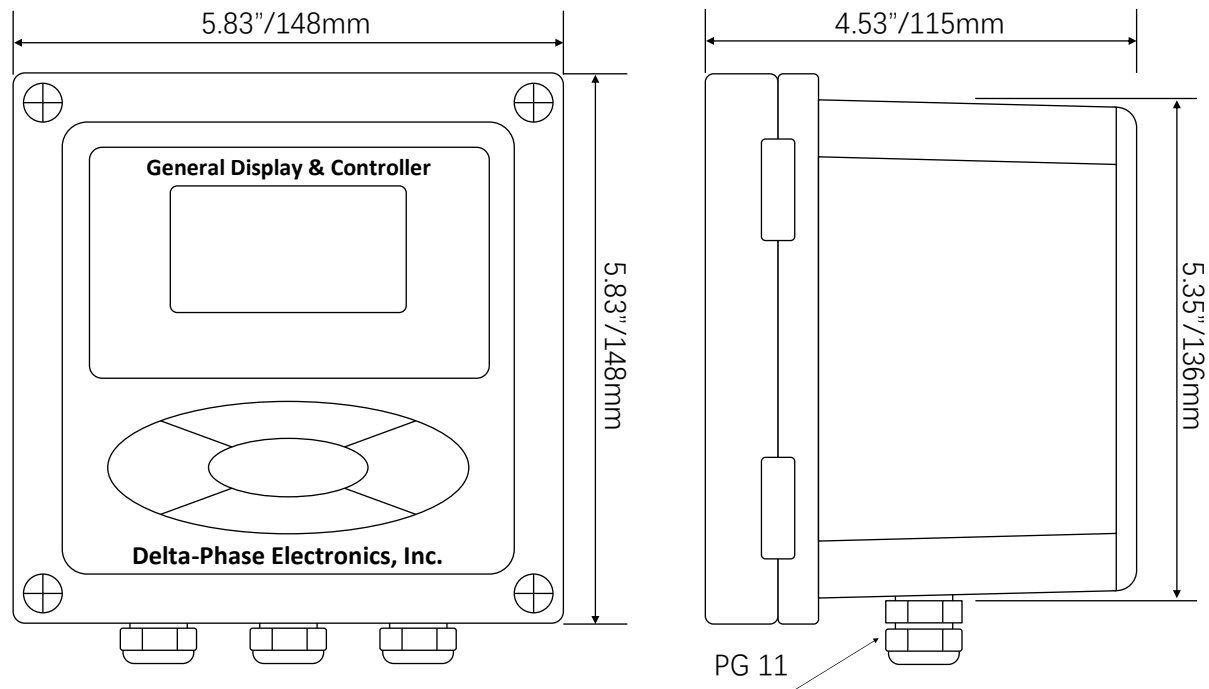
IP66

*Specifications subject to change without notice*



## DIMENSIONS

The GDC Transmitter unit can be wall-mount or installed on a panel, or pipe (horizontally or vertically).



**ORDER CODE****GDC** General Display & Controller**Model and Analogue Output Channels**

- 01 Single Channel
- 02 Dual Channels

**Digital Interface**

- Standard, RS485 Modbus RTU; Bluetooth.
- BP Profibus DP/PA
- HT HART
- BF FF

**Power Supply**

- AC 100 to 240VAC, 50Hz/60Hz
- DC 24VDC (18 to 36VDC)

**Special Application**

- None
- AL Acousto-optic Alarm
- ATM Atmosphere Compensation
- AVF Area/Velocity Flow Measurement
- OCF Open Channel Flow Measurement

**GDC -01 - -DC -**

**CSS™ (Cross Smart Sensor)****Optical Sensor**

- DO
- BOD
- COD
- Color
- Nitrite
- Nitrate
- Turbidity
- TOC/DOC
- Oil in Water
- Suspended Solid
- ...

**Electro-Chemical Sensor (ISE)**

- pH
- ORP
- Nitrate
- Ammonia
- Conductivity
- Residual Chlorine
- Special ions (Ca<sup>2+</sup>, F<sup>-</sup>, Cl<sup>-</sup>...)
- ...

**Process Control Sensor**

- Pressure
- Mass Flow
- Radar Flow
- Radar Level
- Magnetic Flow
- Ultrasonic Flow
- Ultrasonic Level
- Temp. & Humidity
- Toxic and Combustible Gas
- ...

**DELTA-PHASE ELECTRONICS, INC.**

3 Peters Canyon Rd, Suite 100, Irvine, CA 92606, U.S.A.

Phone: +1 (949) 701-7728

<http://www.delta-phase.us>