

## GDC

### GENERAL DISPLAY & CONTROLLER

DIGITAL TECHNOLOGY FOR OPTIMIZED MEASURES



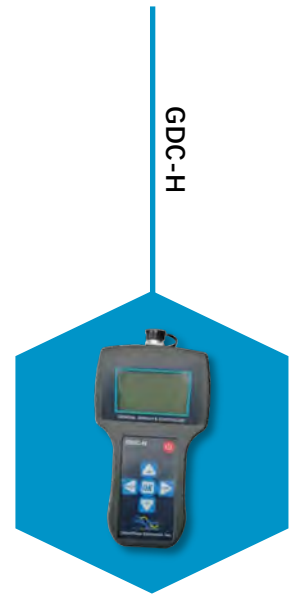
GDC-01/02



GDC-04/06/08



GDC-Ex



GDC-H

#### THE ADVANTAGE

**UNIVERSAL TERMINALS:** Use with Cross Smart Sensors for measurements of water analysis, gas analysis and process control.

**ADVANCE DISPLAY:** LCD screen for GDC-01/02 and GDC-H; Touch LCD screen for GDC-04/06/08; OLED for GDC-Ex.

**SINGLE OR MULTIPLE CHANNELS:** for multiple parameters, 4-20 mA and relay outputs up to 8 channels.

**DIGITAL INTERFACE:** RS485/Modbus RTU standard and optional USB for GDC-04/6/8 only.

**DATA LOGGER** Programmable 1,000 to 30,000 data point capacity for GDC-H and GDC-04/6/8.

**BLUETOOTH:** Built-in Bluetooth module enables wireless connection to standard operating equipment. Like Smartphone/Tablet running iOS or Android or PC for easy data logging and calibration.

**GDC-04/06/08** terminals based on Linux system to run cross-platform software Delta-Phase View™

**GDC-Ex EXPLOSION PROOF TERMINAL:** Using magnetic screwdriver for set up, eliminates the need to open the enclosure cover.

## DESCRIPTION

GDC (General Displayer & Controller) series terminals are designed for continuous measurements with Cross Smart Sensors in general purpose industrial or municipal environments. GDC terminals have the ability to extend network using intelligent sensors with RS485, Modbus RTU protocol output. GDC terminals supply power and communicate with sensors to acquire signals. A plug and play function is available for those sensors in our recommended list, that means if you plug an intelligent sensor into a GDC it will automatically configure to any of the listed measurements. GDC terminals can be expanded to work with any sensors with analog or digital outputs for customized configuration.



Low Voltage Directive 2014/35/EU
Electromagnetic Compatibility Directive 2014/30/EU
RoHS 2 Directive 2011/65/EU
EN 61010-1:2010; EN 61326-1:2013

## SPECIFICATIONS

### Measuring Parameters

Dependent on Cross Smart Sensor

### Accuracy

±0.1%F.S.

### Repeatable

±0.1%

### Linearity

±0.05%

### Response time

T90<1s

### Compensation

Optional special software of GDCs like:  
ATM-Atmosphere compensation  
OCF-Open Channel Flow Measurement.  
AVF-Area Velocity Flow measurements

### Display

GDC-01/02/H: Backlit LCD Screen  
GDC-04/06/08: LCD Touch Screen  
GDC-Ex: OLED Screen  
Parameter, value, % and Unit

### Operating Temperature

-20 to 60°C (-4 to 140°F)

### Power Supply

24VDC (18 to 36VDC), 100 to 240VAC, 50Hz/60Hz  
Rechargeable Battery (GDC-H only)

### Input

Digital RS485/Modbus and Optional Analog input

### Output

Analog output: 4~20mA, up to 8 Channels depends on GDC model; No analog output for GDC-H  
Pulse: flow measurement only  
Relay: up to 8 SPDT (According to Model selection)  
5A@250VAC / 5A@30VDC  
No Reay and pulse for GDC-H

### Digital Interface

RS485 Modbus RTU  
Bluetooth 5.2  
Optional Hart, Profibus, FF etc.  
Optional USB for GDC-04/06/08 only

### Data Logger

1,000 to 30,000 data point capacity for GDC-H and GDC-04/6/8. Programmable and time stamped.

### Weight

GDC-01/02	1.76 lbs. (0.8kg)
GDC-04/06/08	3.31 lbs. (1.5kg)
GDC-Ex	5.0 lbs. (2.27kg)

### Explosion Proof

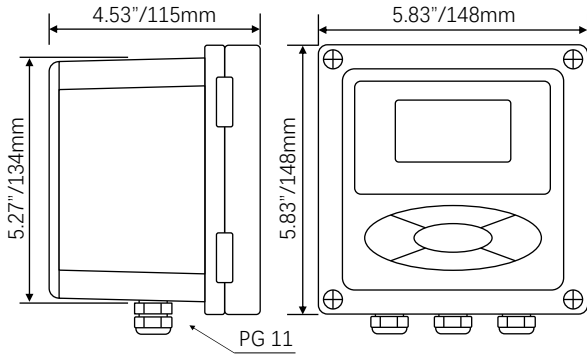
GDC-Ex: Ex d IIC T6

### Ingress Protection Rating

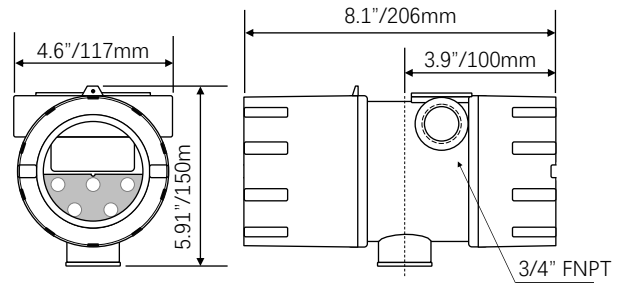
IP65 for GDC-04/06/08  
IP66 for GDC-01/02, GDC-Ex  
IP54 for GDC-H

## DIMENSIONS

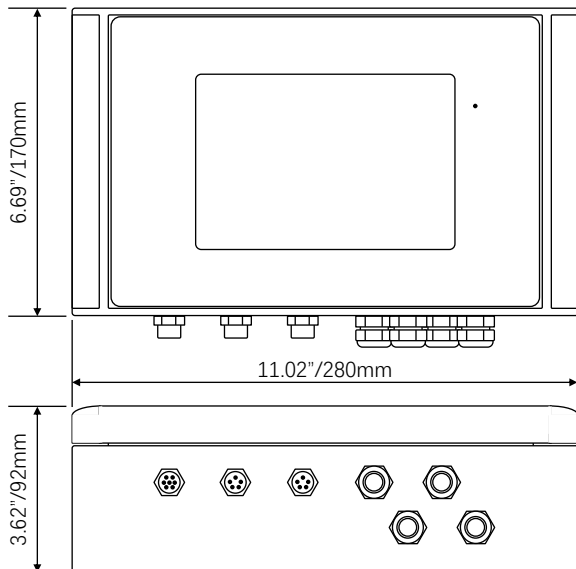
GDC-01/02



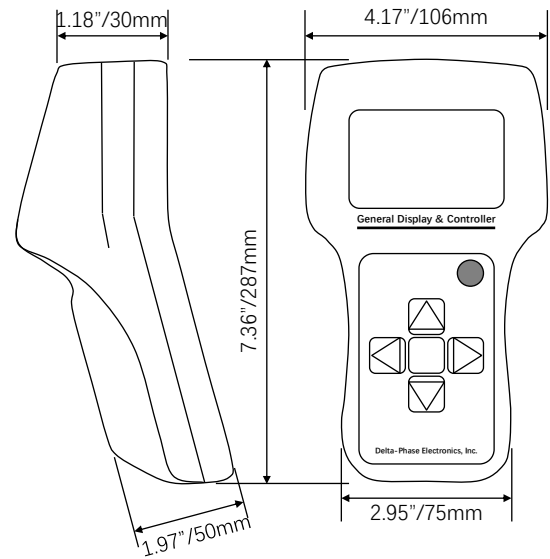
GDC-Ex



GDC-04/06/08



GDC-H



## ORDER CODE

GDC General Display & Controller					
<b>Model and Analogue Output Channels</b>					
-01	Single Channel	-02	Dual Channels		
-04	Four Channels	-06	Six Channels	-08	Eight Channels
-H	Handheld	-Ex	Explosion-proof		
<b>Relay</b>					
-	Two SPDT Relays (Standard for GDC-01/02)		Four SPDT Relays (Standard for GDC-04/06/08)		
-R4	Four SPDT Relays (Optional for GDC-01/02)				
-R6	Six SPDT Relays (for GDC-04/06/08 only)				
-R8	Eight SPDT (for GDC-04/06/08 only)				
<b>Digital Interface</b>					
-	Standard, RS485 Modbus RTU & Bluetooth				
-BP	Profibus DP/PA				
-HT	HART				
-BF	FF				
-UB	USB port for GDC-04/06/08 only				
<b>Power Supply</b>					
-AC	100 to 240VAC, 50Hz/60Hz				
-DC	24VDC (18 to 36VDC)				
-	For GDC-H, Rechargeable Battery only				
<b>Special Application</b>					
-	None				
-ATM	Atmosphere compensation				
-AL	Acousto-optic Alarm				
-WHL	Water Head Lost				
-OCF	Open Channel Flow Measurement				
-AVF	Area/Velocity Flow Measurement				
<b>GDC</b>	<b>-04</b>	<b>-</b>	<b>-</b>	<b>-AC</b>	<b>-</b>



**DELTA-PHASE ELECTRONICS, INC.**

3 Peters Canyon Rd, Suite 100,  
Irvine, CA 92606 U.S.A.  
Phone: (949) 701-7728  
<http://www.delta-phase.us>